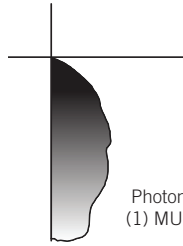


MUSHROOM ROUND



Photometric Drawing for
(1) MUR-WHW-120

TYPE _____ PROJECT _____



CATALOG NUMBER

FIXTURE		COLOR	VOLTAGE	
MUR	Mushroom Round	WHW Warm White LED (3000K)	120	120 v

SPECIFICATIONS

Construction. Fixture body and LED housing are constructed of cast aluminum.

Shielding. Frosted acrylic lens with integral spread lenses for each LED chip for optimum diffusion of the LED source.

Finish. Fixture is finished in proprietary thermopainted matte black, RAL 9011.

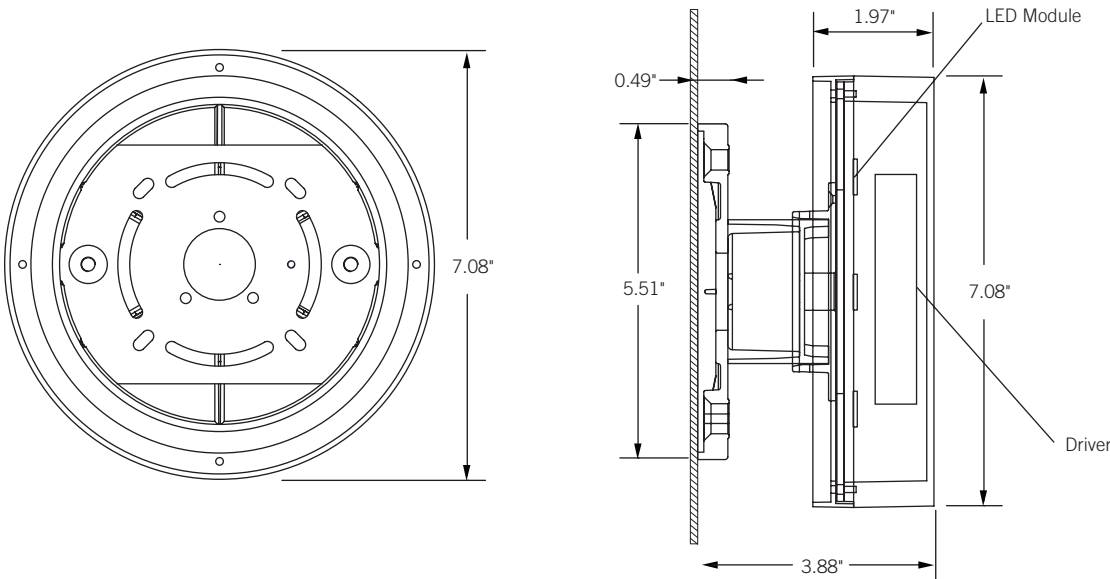
Electrical. Fixture is available in 120 volts. Fixture is UL/CUL Listed. Supplied with integral 9W LED driver.

Lamping. (6) 1.2W Osram Oslon LED chips.

Mounting. Fixture surface mounts over a standard octagonal junction box on the ceiling or wall. See installation instructions for more detail.
ADA Compliant.

Warranty. 5 years. LED rated life is 50,000 hours to 70% of lumen output.

DIMENSIONS & DETAILS



Installation instructions may be found at www.energielighting.com.

Tons:™

Energie LLC, 4885 Ward Road, Ste. 300, Wheat Ridge, CO 80033 Tel 720.963.8055 Fax 720.963.8044 www.energielighting.com
In an effort to continually improve our products, we reserve the right to change or modify designs and/or materials without prior notice.
All rights reserved. These products may be covered by one or more U.S. or international patents or patents pending. 05/13

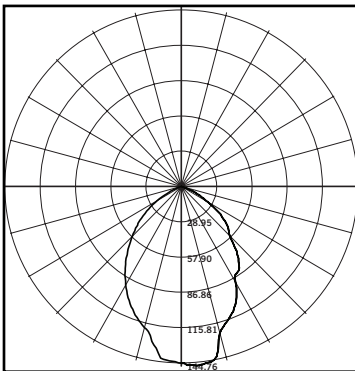
énergie®

MUSHROOM ROUND

TYPE _____
PROJECT _____

PHOTOMETRICS

MUR-WHW-120



LUMINAIRE

Description: Mushroom Round
Catalog Number: MUR-WHW-120
Initial Lumens: 447
Fixture Lumens: 230
Efficiency: 51%
Distribution: 100% direct, 0% indirect
CRI: > 80

CANDELA DISTRIBUTION

	0	30	60	90	120	150	180
0	142.4	142.4	142.4	142.4	142.4	142.4	142.4
5	142.4	143.6	144.4	144.8	143.6	141.3	139.3
15	132.0	122.2	134.3	122.2	121.1	114.5	113.7
25	96.2	103.2	91.2	105.2	96.6	99.4	85.4
35	78.4	84.2	78.4	82.3	76.1	76.5	68.3
45	55.9	60.5	57.8	56.3	53.2	53.6	50.5
55	37.3	38.4	36.5	39.2	29.5	31.0	30.7
65	14.7	15.5	14.4	14.4	6.6	8.1	7.8
75	0.0	0.0	0.0	0.0	0.4	0.0	0.0
85	0.0	0.0	0.0	0.0	0.0	0.0	0.0
90	0.0	0.0	0.0	0.0	0.0	0.0	0.0

LUMINANCE (Candela/sq meter)

ANGLE	0-DEG	90-DEG
45	2534	2517
55	2176	2069
65	1082	1111

COEFFICIENTS OF UTILIZATION

RC RW	80			70			50			30			10			0
	50	30	10	50	30	10	50	30	10	50	30	10	50	30	10	0
0	61	61	61	60	60	60	57	57	57	55	55	55	52	52	52	51
1	57	56	56	56	55	54	54	53	52	51	50	49	48	47	46	43
2	50	49	49	50	49	48	48	47	46	46	45	43	44	42	40	38
3	45	44	43	44	43	42	43	42	40	42	40	38	40	38	36	34
4	40	39	38	40	38	37	39	37	36	38	36	34	36	34	32	30
5	36	35	34	36	34	33	35	33	32	35	32	30	33	31	28	26
6	32	31	30	32	31	30	32	30	28	32	29	27	31	28	25	24
7	29	28	27	29	28	27	29	27	26	29	26	24	28	25	23	21
8	27	25	25	27	25	24	27	25	23	27	24	22	26	23	21	19
9	24	23	23	25	23	22	25	23	21	25	22	20	25	22	19	18
10	22	21	21	23	21	20	23	21	19	23	20	19	23	20	18	16