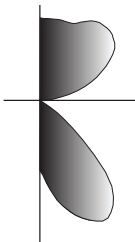


ENFORM 2 PENDANT



Photometric Drawing for
(2) 32W T8 Lamps

TYPE _____ PROJECT _____



CATALOG NUMBER

FIXTURE	OVERALL ROW LENGTH	MAX SECTION LENGTH	SHIELDING	VOLTAGE	OPTIONS*
EF2P Enform 2 Pendant	# # must be specified in 4' increments	4 4' max. section length	RPX Specular louver	120 120 v	DIM Electronic Dimming EM Emergency Battery Pack EMC Emergency Circuit FUS Fusing IDS Integral Daylight Sensor SC Separate Switching
		8 8' max. section length	RSX Semi-specular louver	277 277 v	
		12 12' max. section length		347 347 v	

* DETAILS – OPTIONS

DIM Dimming ballast with 5 wire 0-10VDC control scheme

EM Emergency Battery Pack (4' section only)

EMC Emergency Circuit (4' section only)

FUS GLR fuse for each ballast

IDS Integral Daylight Sensor for 0-10VDC dimming (Dimming ballast included)

SC Separate Switching (2 lamp only)

SPECIFICATIONS

Construction. Fixture body constructed of steel. Endcaps constructed of die-cast aluminum. Fixtures join with internal fasteners.

Finish. Fixture finished in white polyester powdercoat, RAL 9016.

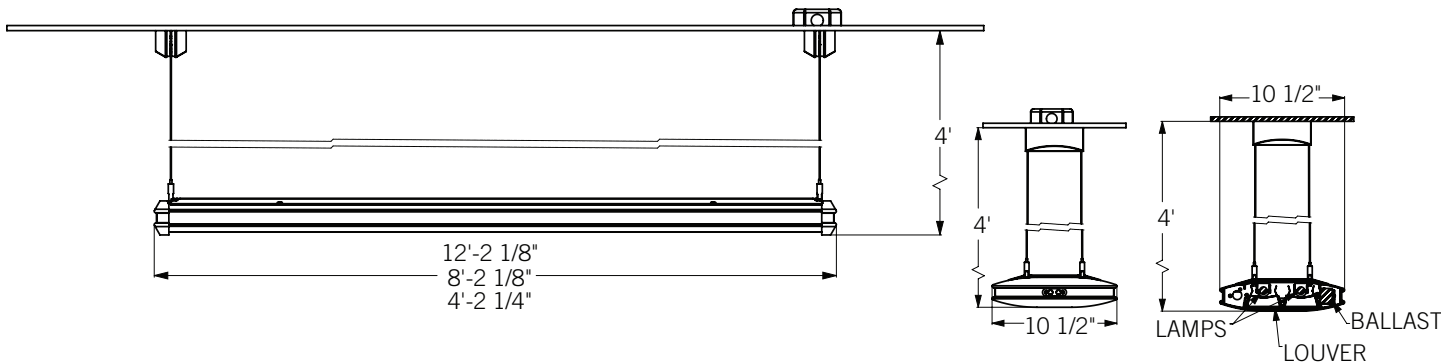
Shielding. Lamps are shielded by Trilux patented louver technology with MIRO-SILVER®, available in specular (>95% surface reflectance) and semi-specular versions (>94% surface reflectance). Louver is optically continuous across fixture length and joints.

Electrical. Specify 120, 277 or 347 volts. Fixture is UL/CUL Listed for damp locations.

Lamping. (2) 32W T8 lamps. Lamps not included.

Mounting. Fixture may be individually mounted or joined together to form linear runs. Fixtures are supplied with 48" fully adjustable aircraft cable.

DIMENSIONS & DETAILS



Installation instructions may be found at www.energielighting.com.



Energie LLC, 4885 Ward Road, Ste. 300, Wheat Ridge, CO 80033 Tel 720.963.8055 Fax 720.963.8044 www.energielighting.com
In an effort to continually improve our products, we reserve the right to change or modify designs and/or materials without prior notice.
All rights reserved. These products may be covered by one or more U.S. or international patents or patents pending. 01/11



ENFORM 2 PENDANT

TYPE _____
PROJECT _____

REQUIRED HARDWARE

EFM2-END	ENDCAP – Enform 2 Endcaps 1 pair per fixture run.
EN-SUP-PEN	SUPPORT KIT – Enform 2 Pendant Support Kit 1 support kit for each fixture in a run.
EN-FDK-PEN	FEED KIT – Enform 2 Pendant Feed Kit At least 1 feed kit per fixture run. (see installation instructions)

OPTIONAL HARDWARE

EN-FDK-PEN-5W	FIVE WIRE FEED KIT – Enform 2 Pendant dimming feed kit for -DIM optioned fixtures (for 5 wire standard dimming ballast). Replaces all EN-FDK-PEN.
EN-FDK-PEN-4W	FOUR WIRE FEED KIT – Enform 2 Pendant four wire feed kit for -SC, -EM or 4 wire dimming optioned fixtures. Replaces all EN-FDK-PEN.
EN-FDK-PEN-EMC	EMERGENCY CIRCUIT FEED KIT – Enform 2 Pendant emergency feed kit for -EMC optioned fixtures. Replaces (1) EN-SUP-PEN per emergency fixture.
ENF-CNR	CORNER CONNECTOR – Enform 2 corner connector (does not include mounting hardware)



EXAMPLES – COMPLETE ORDERS

If a customer orders (1) EF2P-48-8-RPX-120, the Energie breakdown is:

- (6) **EF2P-8-8-RPX-120** – Six 8' fixture modules
- (1) **EFM2-END** – One pair of Enform 2 endcaps
- (6) **EN-SUP-PEN** – Six pendant support kits
- (1) **EN-FDK-PEN** – One pendant feed kit

If a customer orders (1) EF2P-36-12-RPX-120-DIM, the Energie breakdown is:

- (3) **EF2P-12-12-RPX-120-DIM** – Three 12' fixture modules with dimming
- (1) **EFM2-END** – One pair of Enform 2 endcaps
- (3) **EN-SUP-PEN** – Three pendant support kits
- (1) **EN-FDK-PEN-5W** – One pendant dimming feed kit

If a customer orders (1) EF1P-36-12-RPX-1T554-120-IDS, the Energie breakdown is:

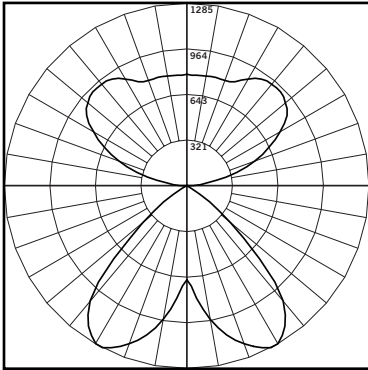
- (1) **EF2P-12-12-RPX-120-IDS** – One 12' fixture module with integral daylight sensor and dimming
- (2) **EF2P-12-12-RPX-1T554-120-DIM** – Two 12' fixture modules with dimming
- (1) **EFM2-END** – One pair of Enform 2 endcaps
- (3) **EN-SUP-PEN** – Three pendant support kits
- (1) **EN-FDK-PEN** – One pendant feed kit

ENFORM 2 PENDANT

TYPE _____
PROJECT _____

PHOTOMETRICS

EF2P-RSX



CANDELA DISTRIBUTION

	0	45	90
0	663	663	663
5	660	722	794
15	631	910	1089
25	588	1026	1258
35	528	1062	1208
45	446	823	726
55	92	263	197
65	2	8	3
75	0	0	0
85	0	0	0
95	28	86	96
105	136	359	364
115	259	603	637
125	389	729	862
135	515	773	935
145	622	739	918
155	703	747	807
165	758	773	790
175	784	783	781

LUMINAIRE

Description: Enform 2 Pendant with (2) 32 watt T8 lamps and semi-specular louver

Catalog Number: EF2P-4-4-RSX-120

Efficiency: 92%

Distribution: 40% direct, 60% indirect
ANSI/IESNA RP-1-04 compliant at 55 degrees

LUMINANCE (Candela/sq meter)

ANGLE	0-DEG	45-DEG	90-DEG
45	3215	5933	5234
55	818	2337	1751
65	24	96	36
75	0	0	0
85	0	0	0

ZONAL LUMEN SUMMARY

ZONE	LUMENS	% LAMP	% FIXT
0 - 30	775.09	13.1	14.3
0 - 40	1379.85	23.4	25.5
0 - 60	2137.92	36.2	39.6
0 - 90	2152.22	36.5	39.8
90-120	962.63	16.3	17.8
90 - 130	1561.9	26.5	28.9
90 - 150	2607.04	44.2	48.3
90 - 180	3249.51	55.1	60.2
0 - 180	5401.73	91.6	100

ZONAL LUMEN SUMMARY

ZONE	LUMENS
0-10	71.65
10-20	251.44
20-30	452.01
30-40	604.76
40-50	548.39
50-60	209.67
60-70	14.09
70-80	.21
80-90	0
90-100	98.48
100-110	339.45
110-120	524.69
120-130	599.27
130-140	570.02
140-150	475.12
150-160	348.77
160-170	218.99
170-180	74.71

COEFFICIENTS OF UTILIZATION

RC RW	80				70				50			30			10			0
	70	50	30	10	70	50	30	10	50	30	10	50	30	10	50	30	10	0
0	96	96	96	96	87	87	87	87	71	71	71	56	56	56	43	43	43	36
1	89	85	82	79	81	78	75	73	64	62	61	51	50	49	40	39	38	33
2	81	75	71	66	74	69	65	61	57	54	52	46	44	43	36	35	34	29
3	75	67	61	56	68	62	56	52	51	48	45	42	39	37	33	31	30	26
4	69	60	53	48	63	55	49	45	46	42	39	38	35	32	30	28	26	23
5	63	54	47	42	58	49	43	39	41	37	34	34	31	28	27	25	23	20
6	58	48	41	36	53	44	38	34	37	33	30	31	28	25	25	22	21	18
7	54	44	37	32	49	40	34	30	34	29	26	28	25	22	23	20	19	16
8	50	39	33	28	46	37	31	27	31	26	23	26	22	20	21	18	17	14
9	47	36	29	25	43	33	28	24	28	24	21	24	20	18	19	17	15	13
10	43	33	27	22	40	31	25	21	26	22	19	22	18	16	18	15	14	12