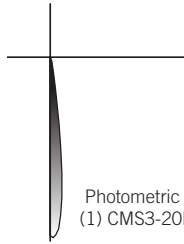


COMET SQUARE 3



Photometric Drawing for
(1) CMS3-20D-WHW-120

TYPE _____ PROJECT _____



CATALOG NUMBER

FIXTURE		DISTRIBUTION		COLOR		VOLTAGE	
CMS3	Comet Square 3	20D	20 degree lens	WHW	Warm White LED (3000K)	120	120 v

SPECIFICATIONS

Construction. Fixture body and LED housing are constructed of extruded aluminum.

Shielding. Integral 20 degree spread lens for maximum efficiency and optimization of the LED chips along with an acrylic bottom lens.

Finish. Fixture is finished in proprietary thermopainted matte silver, RAL 9006.

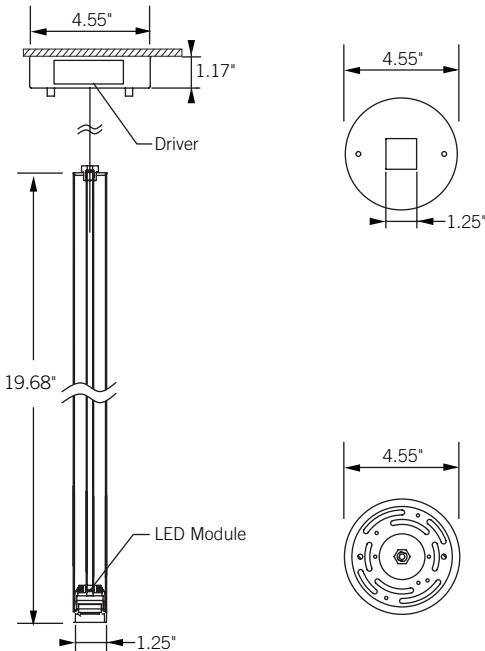
Electrical. Fixture is available in 120 volts. Fixture is UL/CUL Listed. Supplied with an integral 3.6W LED driver located in the canopy.

Lamping. (1) 1.2W Osram Oslon LED chip.

Mounting. Fixture is mounted to provided canopy with fully adjustable clear power cord. Canopy is then wired and mounted to an octagonal junction box. Maximum cord length is 54". See installation instructions for additional detail.

Warranty. 5 years. LED rated life is 50,000 hours to 70% of lumen output.

DIMENSIONS & DETAILS



Installation instructions may be found at www.energielighting.com.

Tons:

™ Energie LLC, 4885 Ward Road, Ste. 300, Wheat Ridge, CO 80033 Tel 720.963.8055 Fax 720.963.8044 www.energielighting.com
In an effort to continually improve our products, we reserve the right to change or modify designs and/or materials without prior notice.
All rights reserved. These products may be covered by one or more U.S. or international patents or patents pending. 05/13

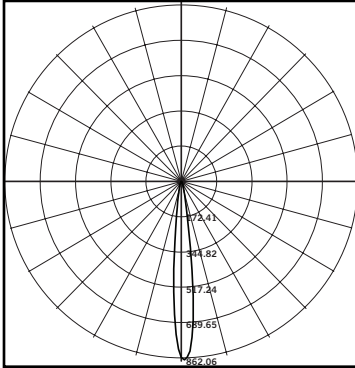
énergie®

COMET SQUARE 3

TYPE _____
PROJECT _____

PHOTOMETRICS

CMS3-20D-WHW-120



LUMINAIRE

Description: Comet Square 3
Catalog Number: CMS3-20D-WHW-120
Initial Lumens: 80
Fixture Lumens: 67
Efficiency: 83%
Distribution: 100% direct, 0% indirect
CRI: > 80

CANDELA DISTRIBUTION

	0	30	60	90	120	150	180
0	844.8	844.8	844.8	844.8	844.8	844.8	844.8
5	539.9	480.4	521.1	667.2	631.2	660.8	502.4
15	47.9	44.4	49.6	60.8	57.4	60.7	49.4
25	16.1	15.0	15.4	17.9	17.4	17.6	16.2
35	5.5	5.4	5.6	6.4	6.3	6.4	5.9
45	2.5	2.5	2.5	2.8	2.9	2.8	2.7
55	1.3	1.3	1.2	1.4	1.4	1.4	1.3
65	0.6	0.7	0.6	0.7	0.7	0.7	0.7
75	0.3	0.3	0.2	0.3	0.3	0.3	0.3
85	0.0	0.0	0.0	0.0	0.0	0.0	0.0
90	0.0	0.0	0.0	0.0	0.0	0.0	0.0

LUMINANCE (Candela/sq meter)

ANGLE	0-DEG	90-DEG
45	39711	35553
55	23833	22037
65	15996	14954
75	10780	9659

COEFFICIENTS OF UTILIZATION

RC RW	80			70			50			30			10			0
	50	30	10	50	30	10	50	30	10	50	30	10	50	30	10	0
0	99	99	99	96	96	96	92	92	92	88	88	88	85	85	85	83
1	97	97	96	96	95	94	92	91	90	87	86	86	81	80	79	75
2	94	93	93	92	91	91	89	88	87	84	83	82	79	78	76	73
3	91	90	89	89	88	87	86	84	83	82	80	79	77	75	74	70
4	88	87	87	86	85	85	83	82	81	80	78	76	75	73	72	68
5	86	85	84	84	83	82	81	79	78	78	76	75	74	71	70	66
6	83	83	82	82	81	80	79	77	76	76	74	72	72	70	68	65
7	81	81	80	80	79	78	77	76	74	74	72	70	71	68	66	63
8	80	79	79	78	77	77	75	74	73	72	70	69	69	67	65	62
9	78	77	77	77	76	75	74	72	71	71	69	67	68	65	63	61
10	77	76	76	75	74	74	73	71	70	70	68	66	67	64	62	59